

# SILVER LINE SERIES



---

ITIPACK QUALITY FOR YOUR NEEDS

# Much **more** for the **many**

The SILVER LINE serie open a new scenario on the market for standard applications.

A wide range of strapping machine designed with the highest standards.

User friendly, plug & play solution for low energy consumption and high performance.



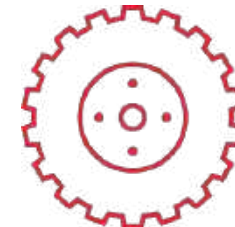
Optimized design  
with overall dimensions reduction



Possibility of combining  
different options following the specific  
production needs



New electromechanical sealing  
unit ITALA, friction welding, for use with  
PP/PET strap 9-13x0,5-0,8 mm



Electric & electronic equipment  
with Siemens S1200 wired up into an  
electric cabinet fixed onto machine board



Pneumatic pin system  
to block the movable truck and prevent it  
to fall during maintenance



Panel & documentation  
in one or two languages to choose  
between Italian/English/French/Spanish

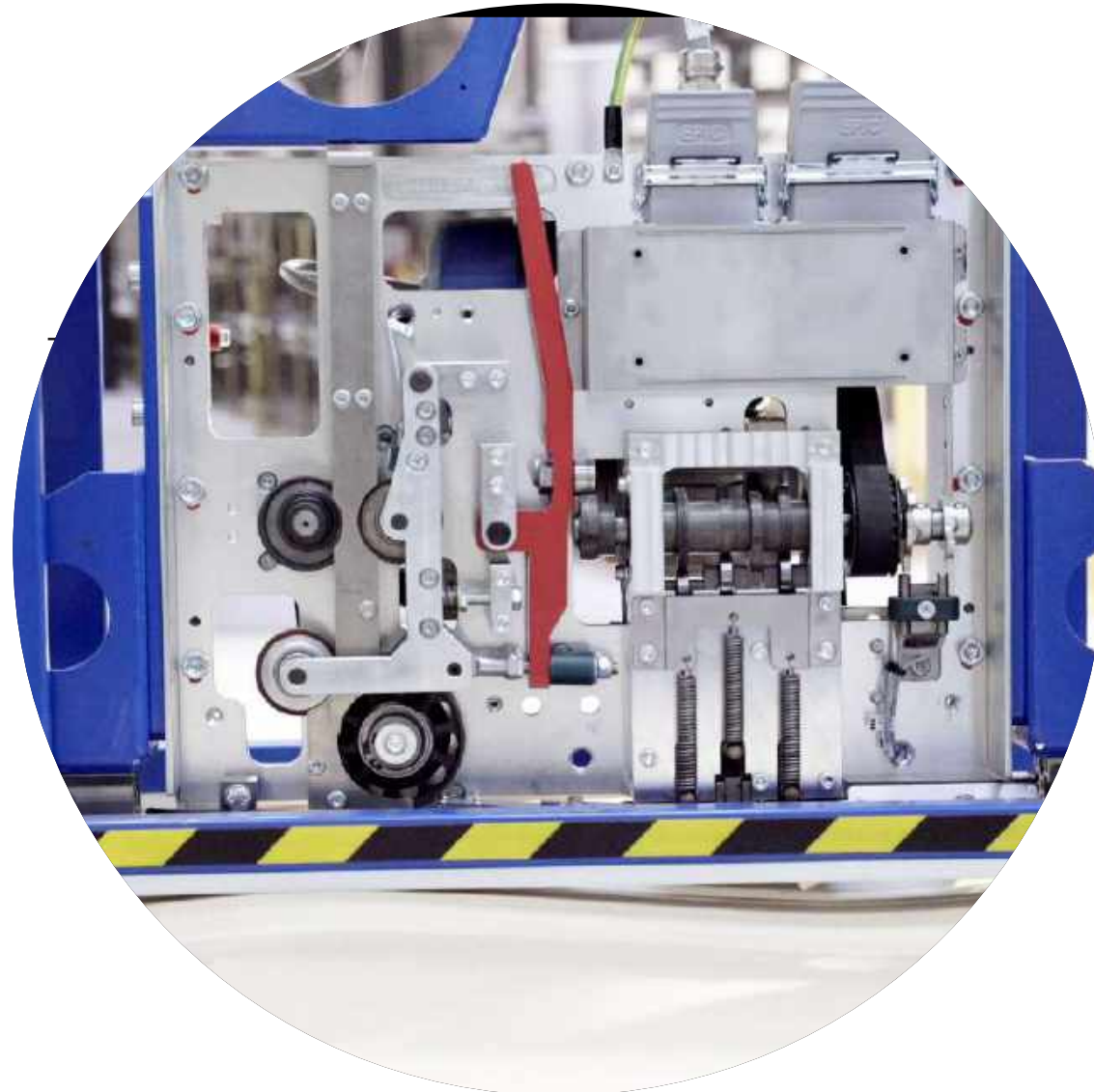


SEALING HEAD	ITALA
SEALING	FRICITION
STRAP	<i>POLYESTER PET:</i> 8,0-12,7 MM X 0,5-0,8MM (IF 8,0 MM - MIN 0,6 MM)
	<i>POLYPROPYLENE PP:</i> 9,5-12,7MM X 0,7-0,8MM
FUNCTIONING	ELECTRIC BY 3 ASYCHRONOUS MOTORS
HEAD FORCE	ADJUSTABLE, MAX 2000 N (DEPENDING ON STRAP)
STRAP FEEDING SPEED	3 M/S
VOLTAGE	400V-50HZ OR 480V-60HZ
POWER	0.2 KW
NOISE EMISSION	84 DB(AS)

The machine is based on a modular aluminium robust frames with different size combination.

No additional engineering work is needed: from the order the machine goes directly into production.

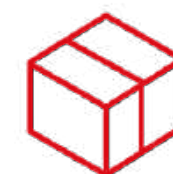
The result is a easy to assemble machine with very short delivery term & fast installation phase.



## APPLICATIONS



This is an ideal machine to strap the following products:



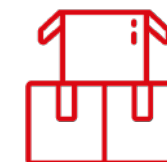
Boxes on pallet



Spare part boxes



Fruit and vegetables

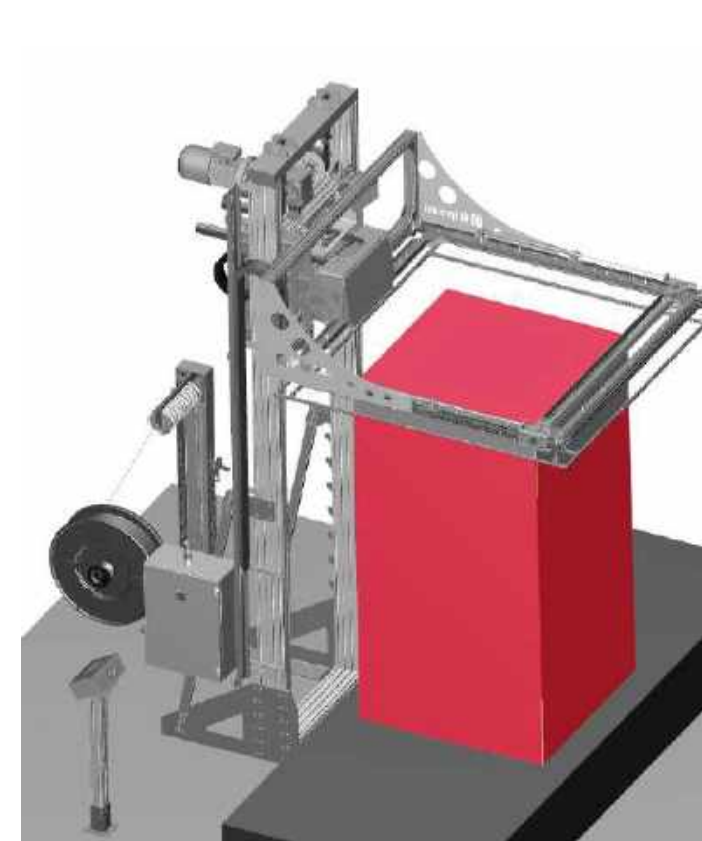


Paper and cardboard



Construction material

# Horizontal machine mod. **VKC/FG-SILVER**



  
Package size:

	WIDTH	HEIGHT	LENGHT
MIN	700mm	400mm	700mm
MAX	1200mm	2750mm <sup>(1)</sup>	1200mm

(1) This is the total max height including conveyor and/or pallet, if they are present.

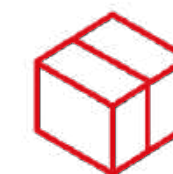
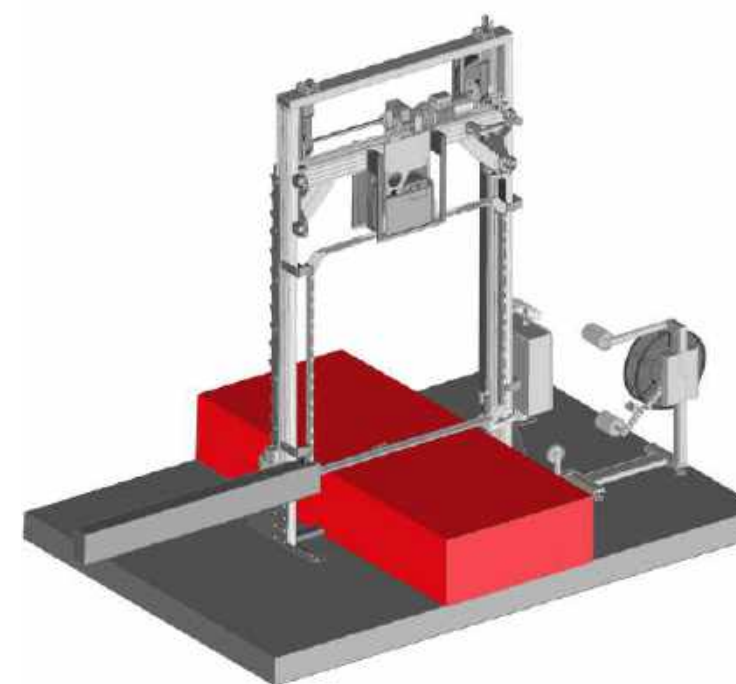
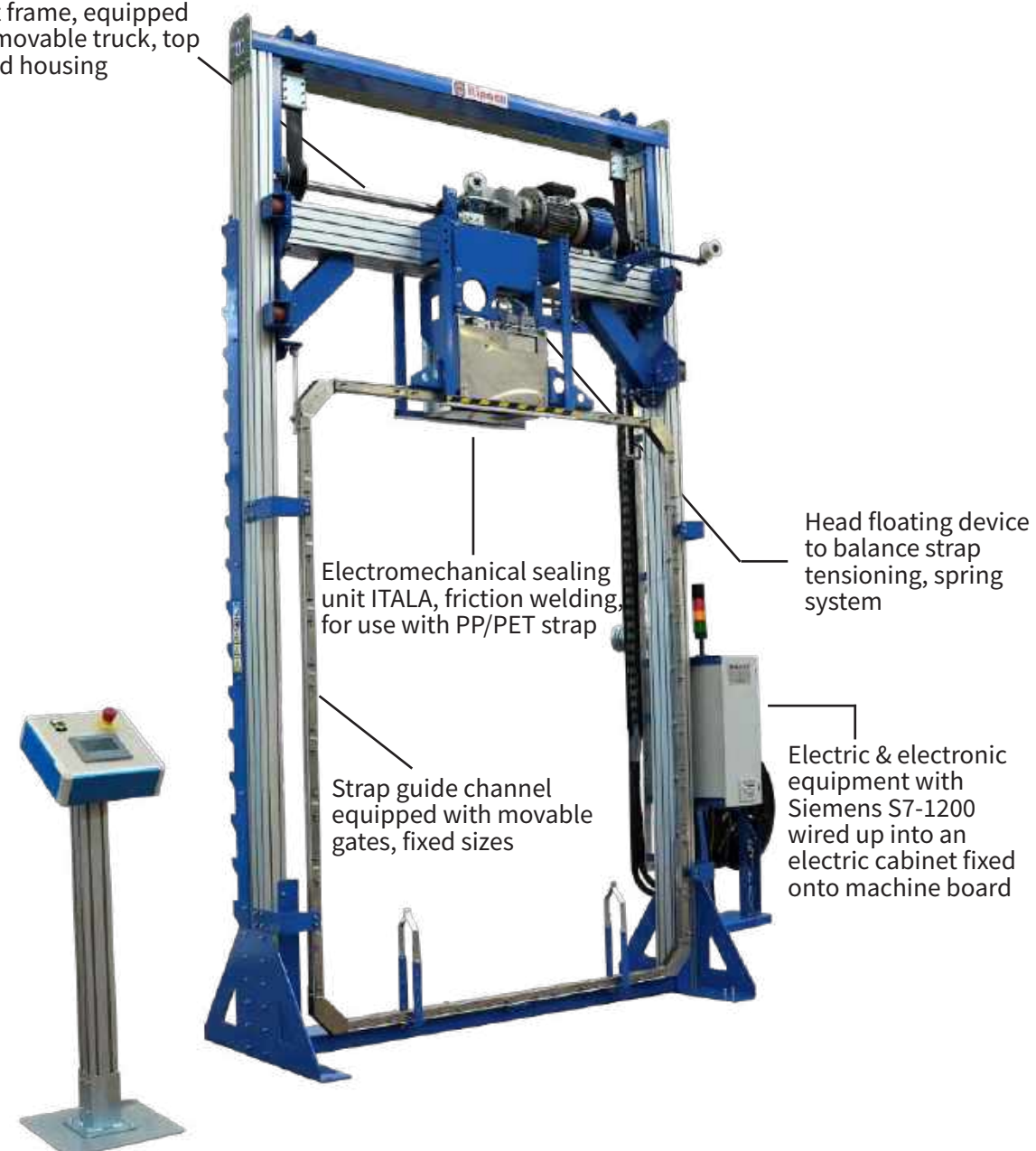


## Main options to customize the machine:

- ✓ Automatic Pin system to block the movable truck before the fences doors are opened by operator.
- ✓ Anti-collision device on two sides on strap guide channel by photocells with more precisely stopping system of the arch (in case of min strapping height 50 mm from top conveyor)
- ✓ “VPN + Data exchange“ module placed in a dedicate electric box (Data shown within a standard supervision interface on browser)

# Vertical machine mod. **VKE/F-SILVER**

Machine support frame, equipped with a powered movable truck, top mounted for head housing



Package size:

	WIDTH	HEIGHT
MIN	400mm	150mm
MAX	1000 or 1250mm <sup>(1)</sup>	2500mm <sup>(2)</sup>

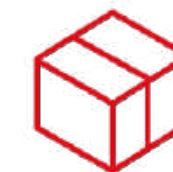
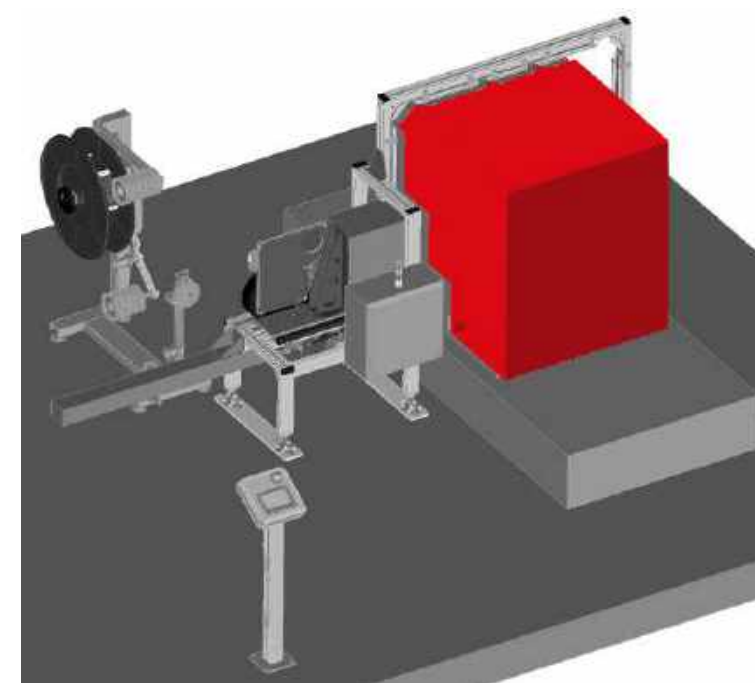
(1) 1000mm without conveyor, with manual loading of the package under the machine;  
 (1) 1250mm with conveyors system  
 (2) This is the total max height including conveyor and/or pallet, if they are present.



Main options to customize the machine:

- ✓ Automatic Pin system to block the movable truck before the fences doors are opened by operator
- ✓ Powered movable lance (for Euro Pallet or similar dimensions)
- ✓ “VPN + Data exchange“ module placed in a dedicate electric box (Data shown within a standard supervision interface on browser)
- ✓ Floor ramp H=150mm (if there isn't any conveyor or pallet)
- ✓ Anti-collision device on lance with 2 laser photocells to check the clearance for lance insertion before the cycle

# Side-head machine mod. **VKB/F-SILVER**



Package size:

	WIDTH	HEIGHT
MIN	600mm	700mm <sup>(2)</sup>
MAX	1250 or 1500mm <sup>(1)</sup>	1850mm <sup>(3)</sup>

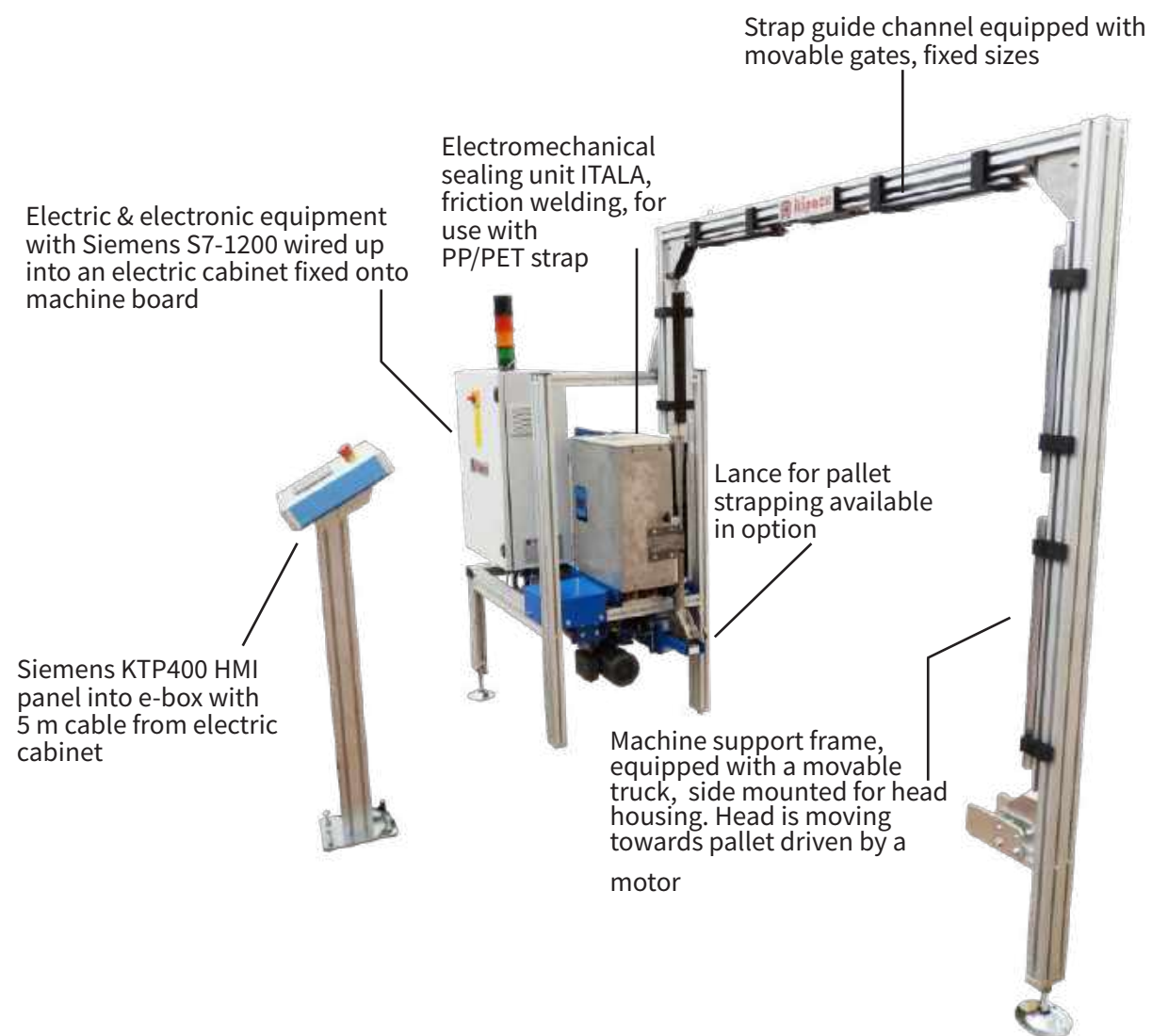
<sup>(1)</sup> 1250mm without conveyor, with manual loading of the package under the machine;

<sup>(2)</sup> if product not on pallet, Hmin of product is 550mm considering an Hmin conveyor/ramp of 150mm;

<sup>(1)</sup> 1500mm with conveyors system

<sup>(2)</sup> if product on pallet, considering a Hmin product of 550 mm with Hpallet of approx 150mm. "Pallet" refers to an Euro-Pallet or geometrical similar pallets.

<sup>(3)</sup> 1850 mm is the total max height with or without pallet.



## Main options to customize the machine:

- ✓ Floor ramp H=150MM (if there isn't any conveyor or pallet)
- ✓ Powered movable lance (for Euro Pallet or similar dimensions)
- ✓ Anti-collision device on lance with 2 laser photocells to check the clearance for lance insertion before the cycle
- ✓ "VPN + Data exchange" module placed in a dedicate electric box (Data shown within a standard supervision interface on browser)

# SILVER LINE SERIES

Increase your  
productivity at  
the right price,  
guaranteeing the quality of Itipack  
present on the world market for 50  
years!



THE RIGHT  
QUALITY  
FOR YOUR  
NEEDS